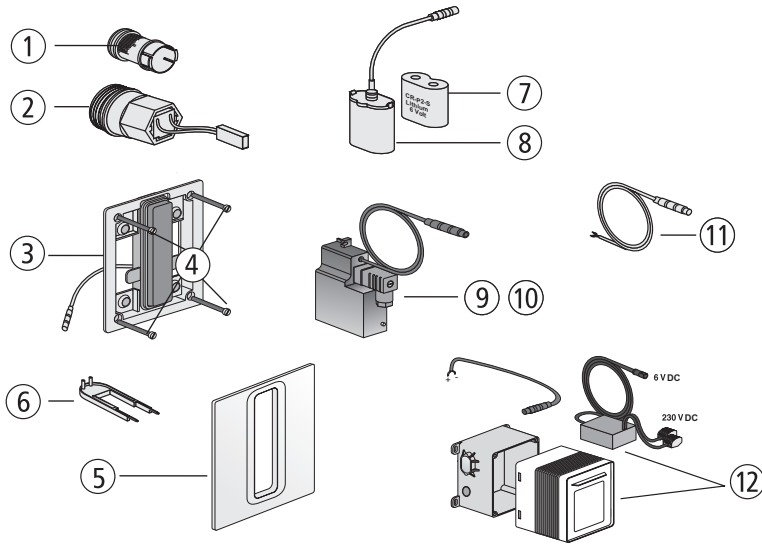


**Infrared urinal cover plate INEO BRIGHT**



No.	Name	Code No.	Recommended price/€
1	Filter for cartridge valve technology	03.343.00..0000	
2	Solenoid cartridge valve 6V DC	03.342.00..0000	
3	Mounting frame with IR module	05.336.00..0000	
4	Fastening screws M5 x 70 (4 pcs.)	03.107.00..0000	
5	Actuator frame plastic alpine white chrome Actuator frame brushed stainless steel	05.317.01..0000 05.317.81..0000 05.319.00..0000	
	Actuator frame glass white black anthracite	05.318.C9..0000 05.318.C8..0000 05.318.41..0000	
6	Removal tool for urinal cover plate	02.992.00..0000	
7	Lithium battery 6V DC, CR P 2	02.993.00..0000	
8	Battery holder for battery CR P 2	03.109.00..0000	
9	Power supply 24V AC/6V DC	03.113.00..0000	
10	Power supply 230V AC/6V DC for single installation	03.112.00..0000	
11	Connection cable 600 mm with special plug	03.111.00..0000	
12	Concealed power supply unit 230V AC/6V DC, for single and series installations	01.254.00..0000	