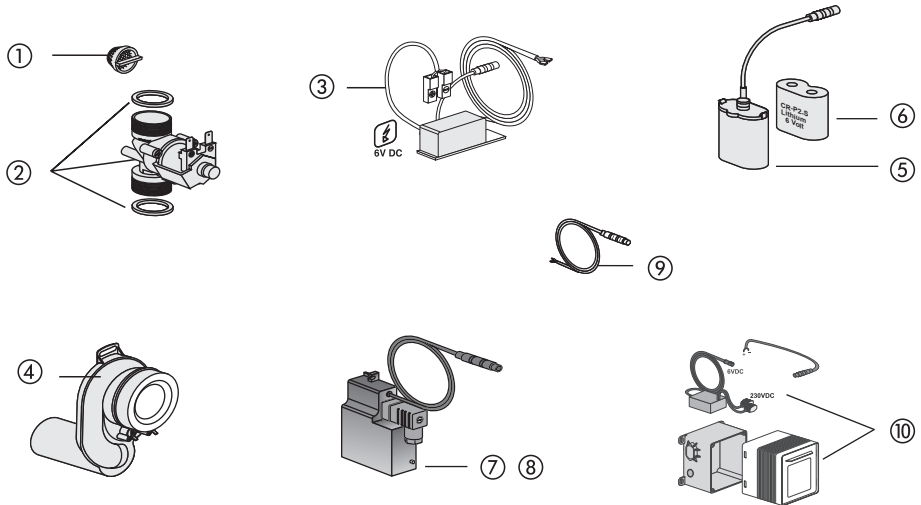


DISCONTINUED PRODUCT – urinal technology, vandal-safe RL 1 (APIS 5 SM)

(Code No. 01.426/427/428/429.00..0000) (from 2004 to 2008)



No.	Name	Code No.	Recommended price/€
1	Filter	03.051.00..0000	
2	Solenoid valve 6V DC G 3/4 AG, BL 61 mm, incl. 2 seals	03.108.00..0000	
3	Urinal electronic module RL 1	03.110.00..0000	
4	Urinal exhaust trap with pre-assembled stainless steel electrodes	03.114.00..0000	
5	Battery holder for battery CR P 2	03.109.00..0000	
6	Lithium battery 6V DC, CR P 2	02.993.00..0000	
7	Power supply 24V AC/6V DC	03.113.00..0000	
8	Power supply 230V AC/6V DC for single installation	03.112.00..0000	
9	Connection cable 600 mm with special plug	03.111.00..0000	
10	Concealed power supply unit 230V AC/6V DC for single and series installations	01.254.00..0000	