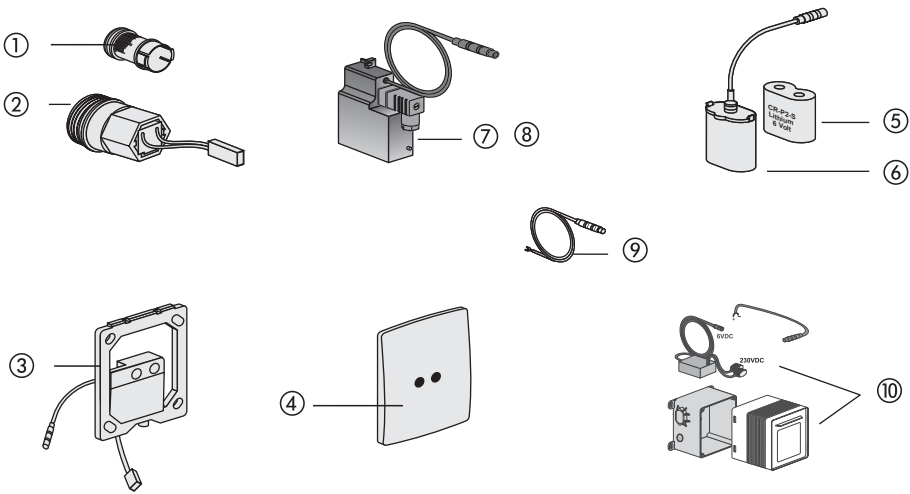




DISCONTINUED PRODUCT – Urinal cartridge valve technology with stainless steel cover plate (APIS 6 SM) (Code No. 16.065/066/067/068.00..0000) (from 2008 to 2009)



No.	Name	Code No.	Recommended price/€
1	Filter for cartridge valve technology	03.343.00..0000	
2	Solenoid cartridge valve 6V DC	03.342.00..0000	
3	Infra urinal control 6V DC	03.368.00..0000	
4	Stainless steel cover 120 x 150 x 16 mm	03.117.00..0000	
5	Lithium battery 6V DC, CR P 2	02.993.00..0000	
6	Battery holder for battery CR P 2	03.109.00..0000	
7	Power supply 24V AC/6V DC	03.113.00..0000	
8	Power supply 230V AC/6V DC for single installation	03.112.00..0000	
9	Connection cable 600 mm with special plug	03.111.00..0000	
10	Concealed power supply unit 230V AC/6V DC for single and series installation	01.254.00..0000	