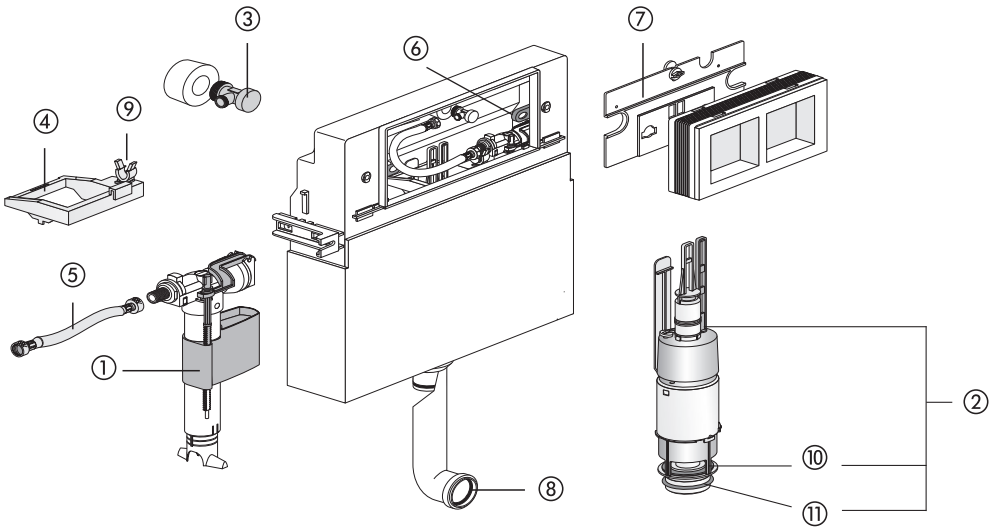


**DISCONTINUED PRODUCT – Concealed cistern, CC-120-M-FO-2V-L**  
with medium access opening (from 2010 to 2014)



No.	Name	Code No.	Recommended price/€
1	Universal fill valve 510, G 3/8 x 30 mm	25.001.00..0000	
2	Flush valve complete incl. positioning device and fill valve support	01.950.00..0000	
3	Angle valve G 1/2	02.425.00..0000	
4	Positioning device	02.879.00..0000	
5	Flexible hose DN6 280 mm	05.266.00..0000	
6	Toggle	02.972.00..0000	
7	Hinge plate incl. 2 levers	03.633.00..0000	
8	Lip seal d: 45	02.461.00..0000	
9	Fill valve support	02.971.00..0000	
10	Sealing ring d: 31 x d: 63 x 2.8	02.754.00..0000	
11	O-Ring d: 55 x 5	02.436.00..0000	