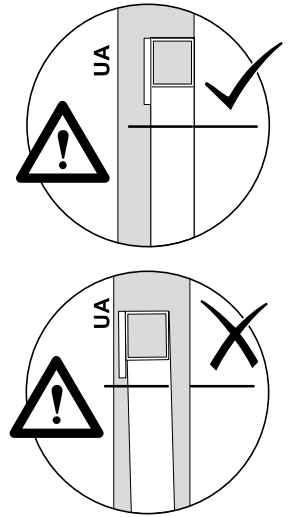
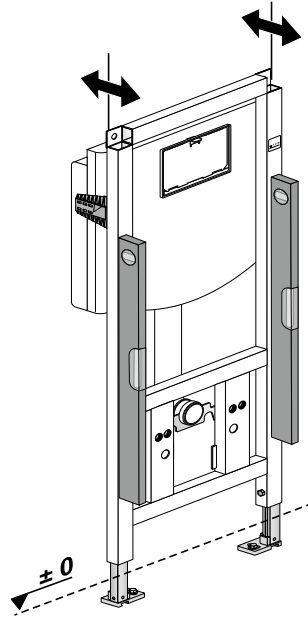
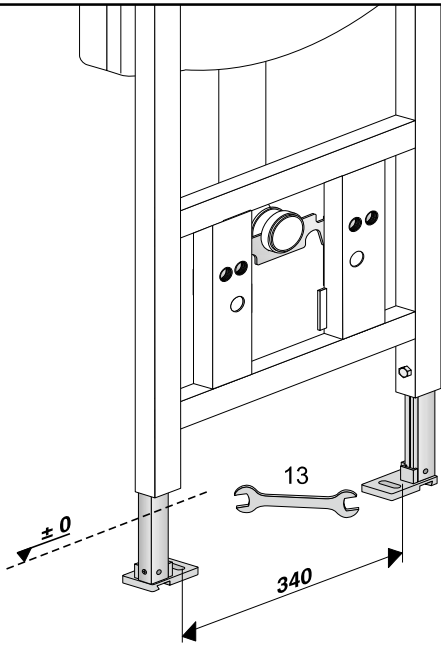
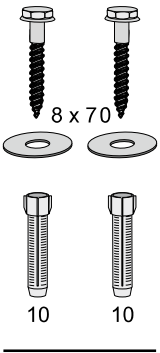
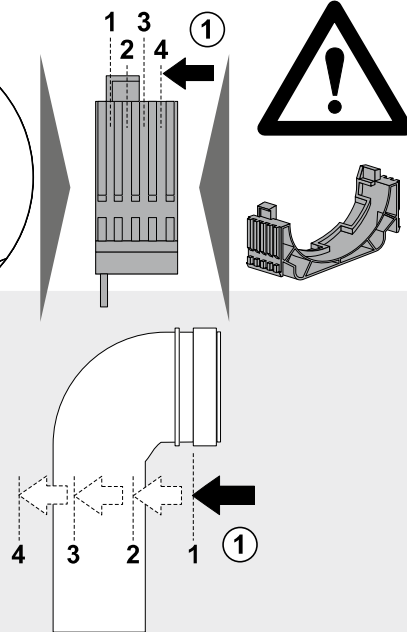
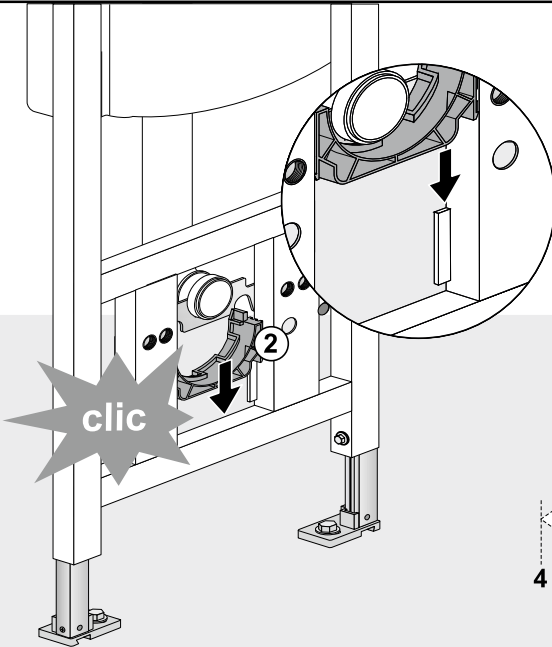
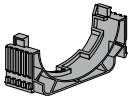


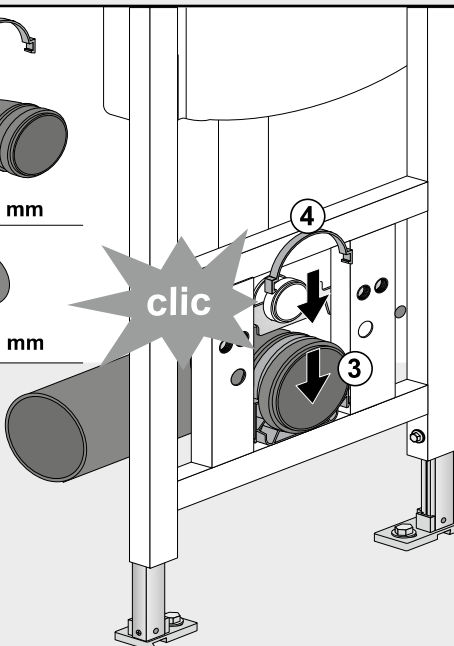
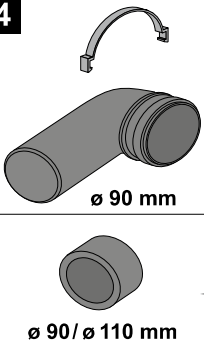
2



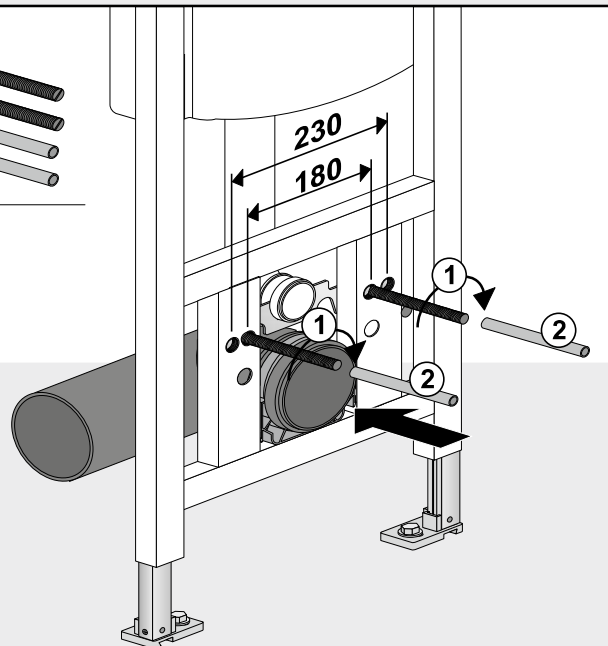
3

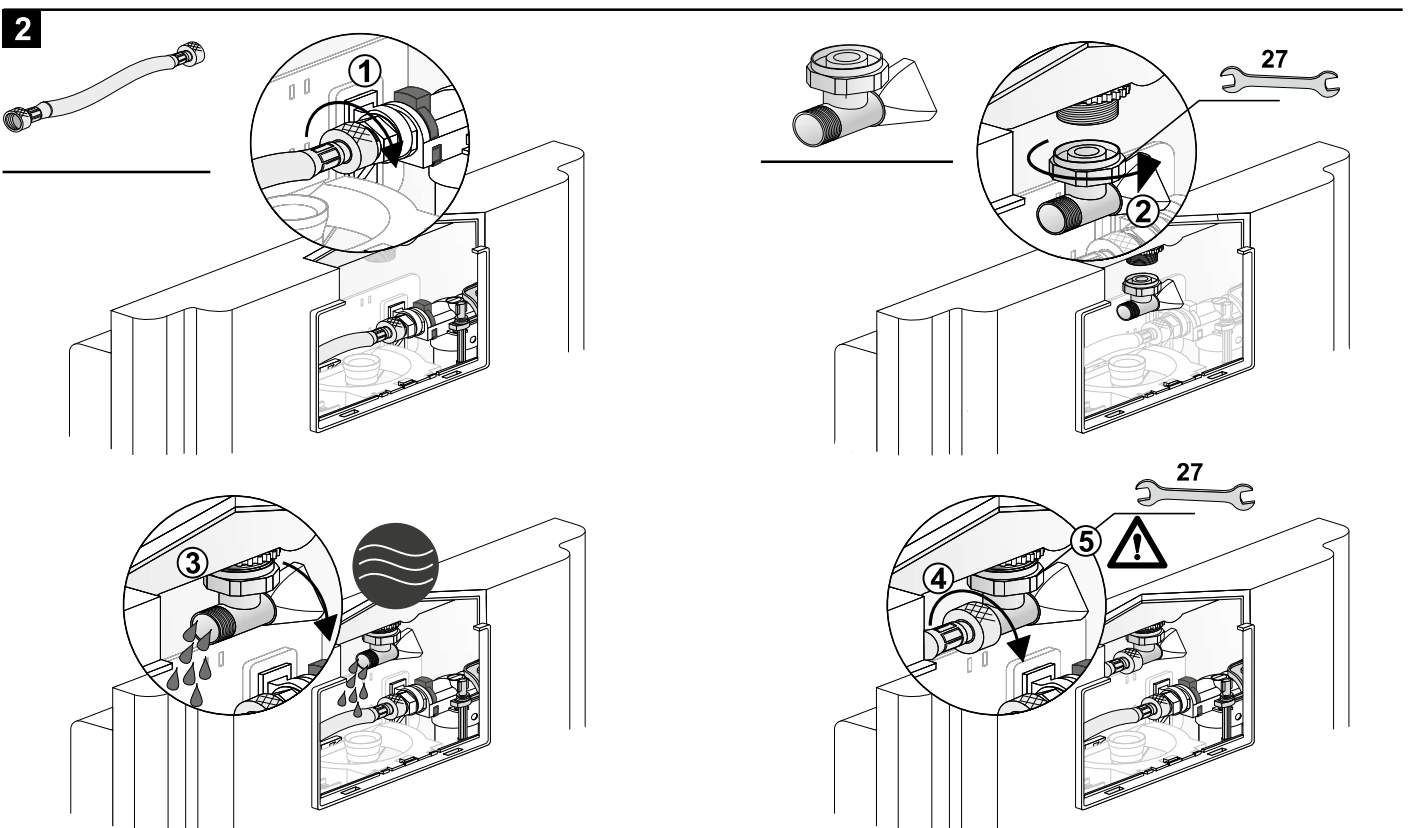
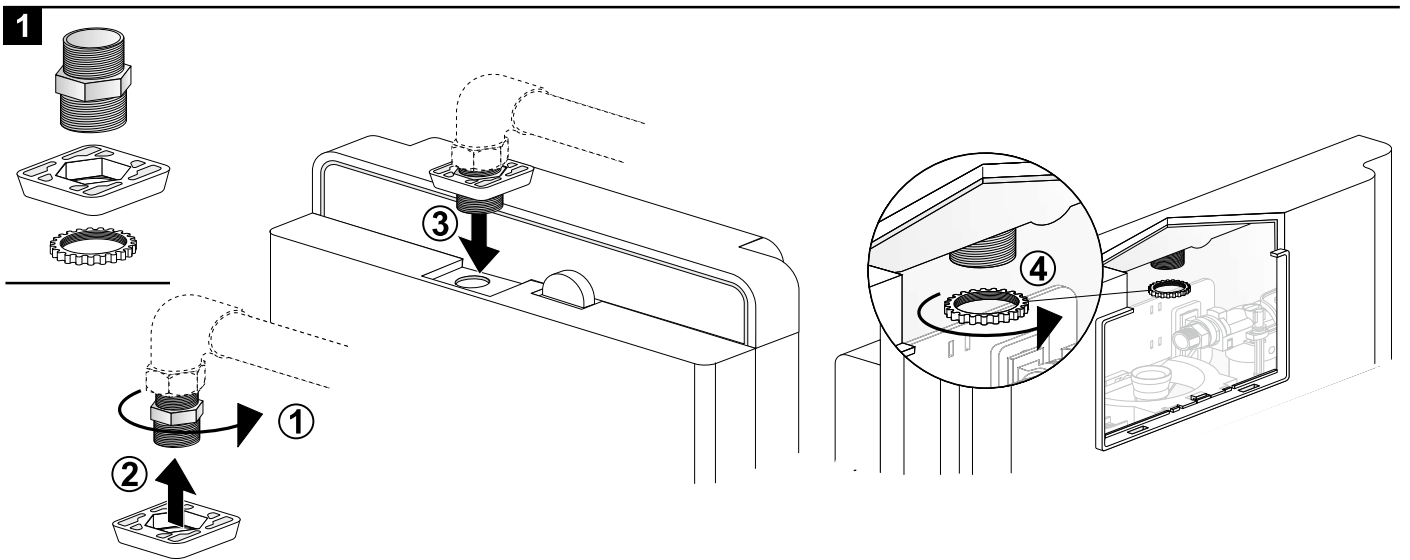
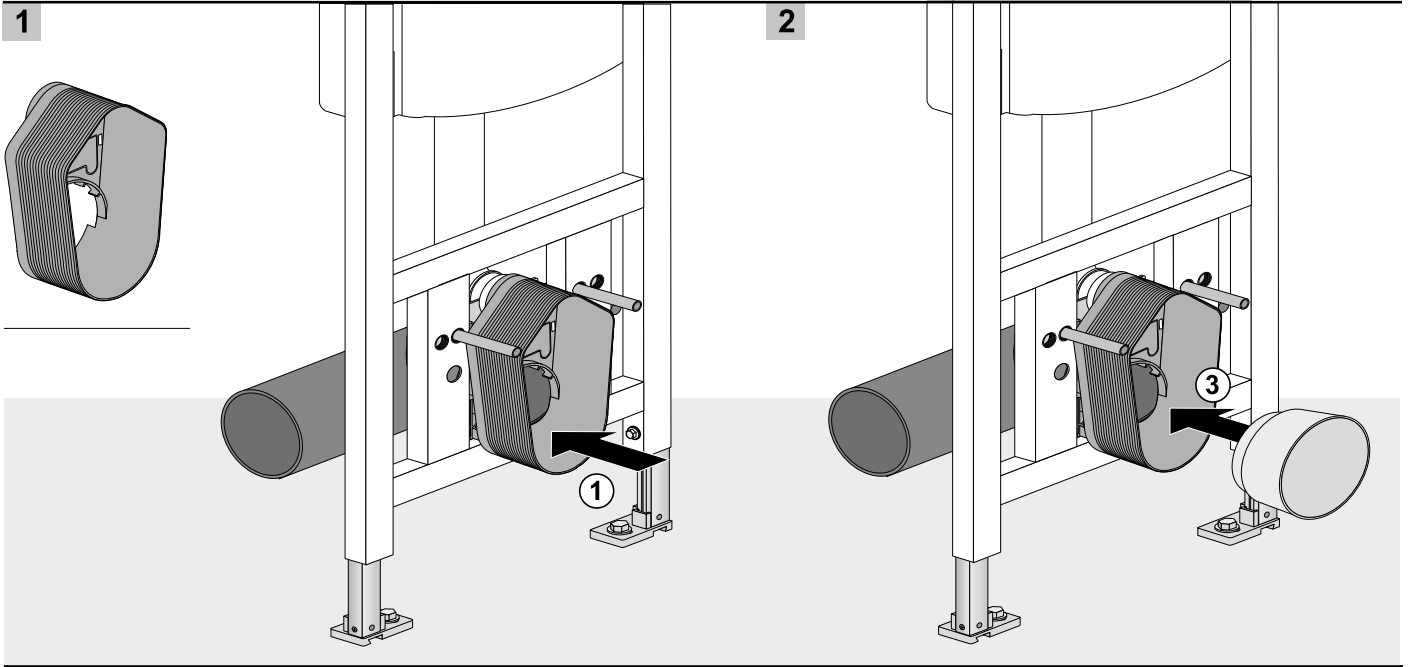


4

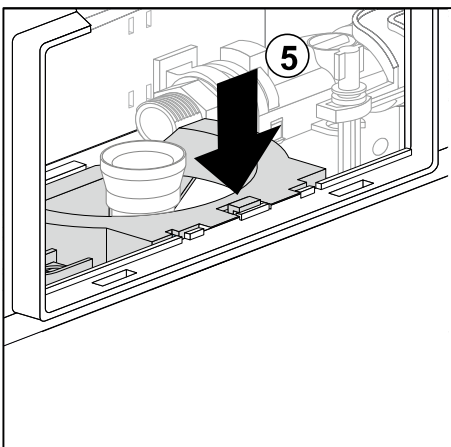
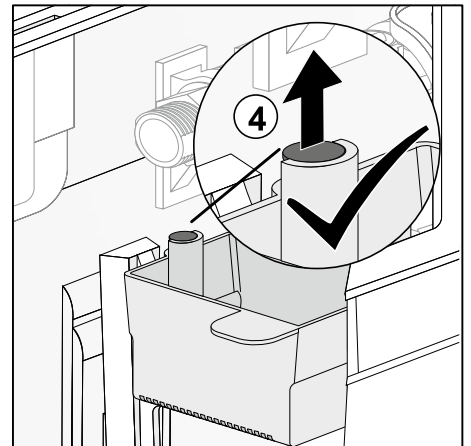
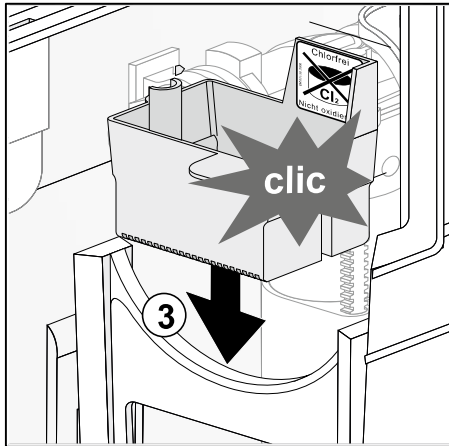
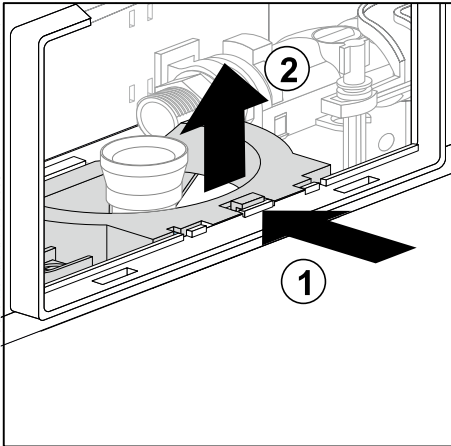
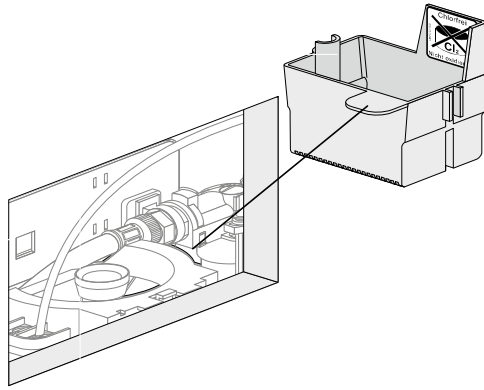
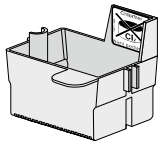


5

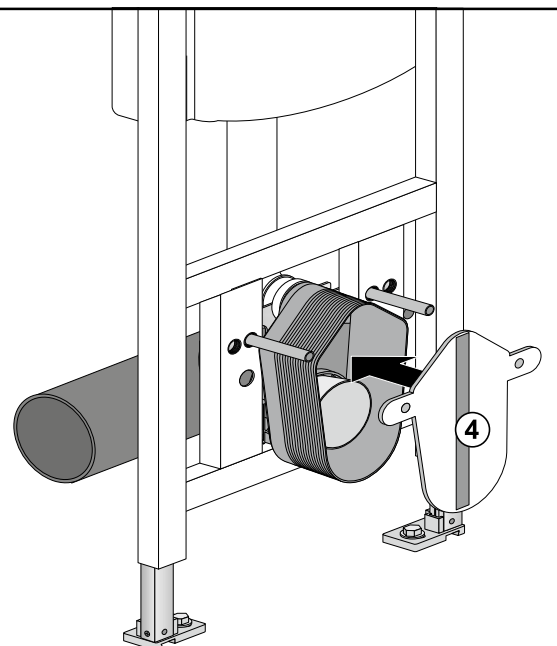
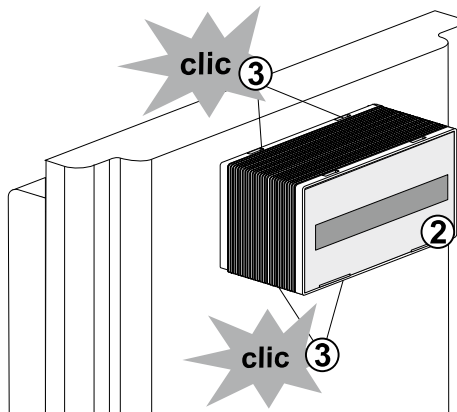
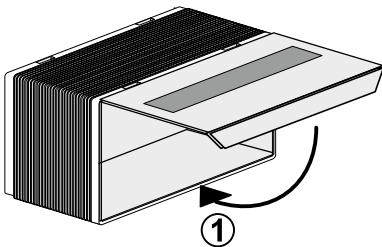




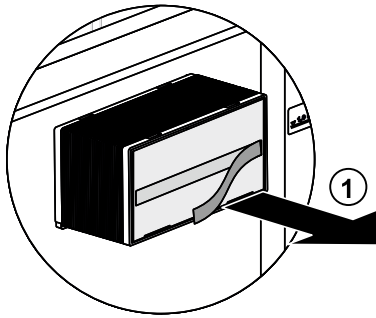
3



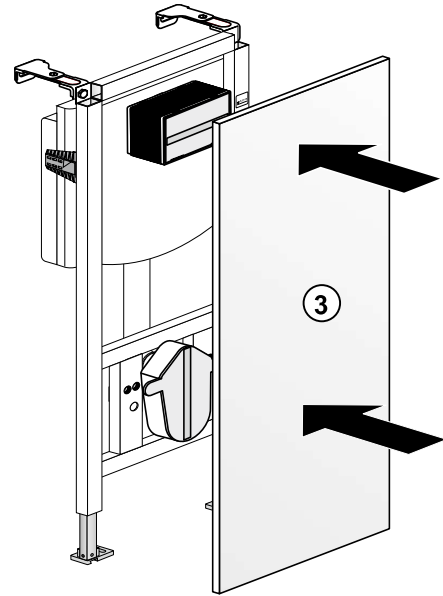
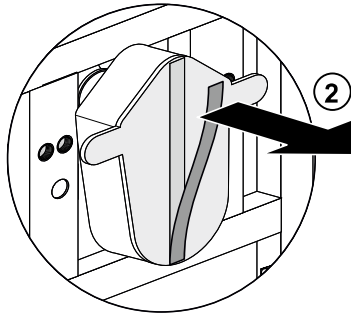
4



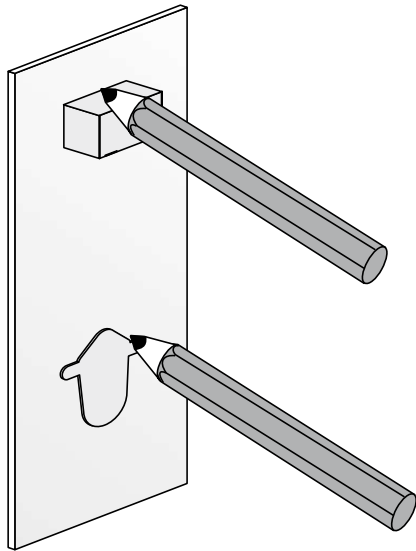
1



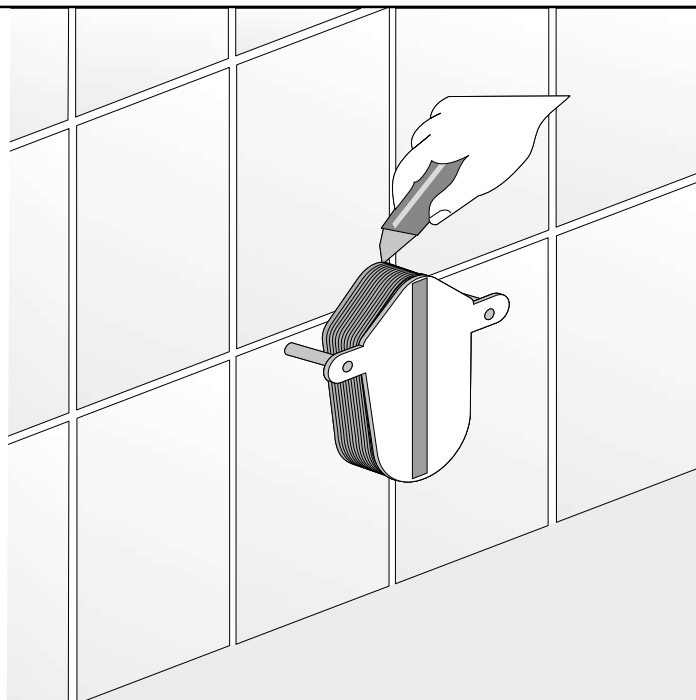
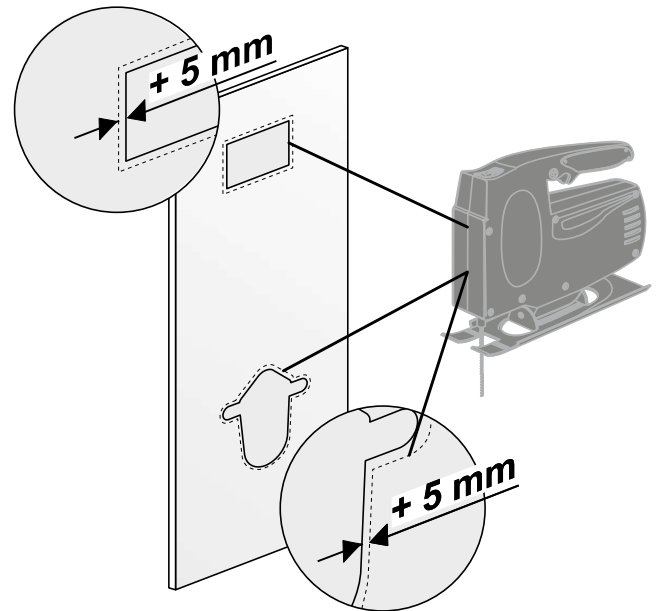
2



3



4



# Service

