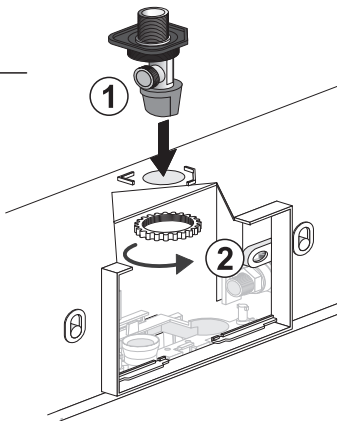
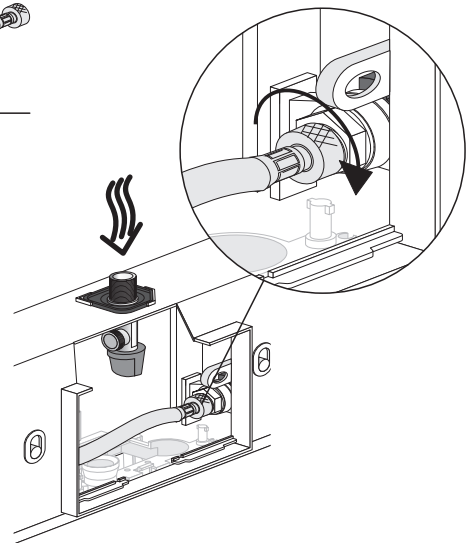
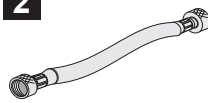


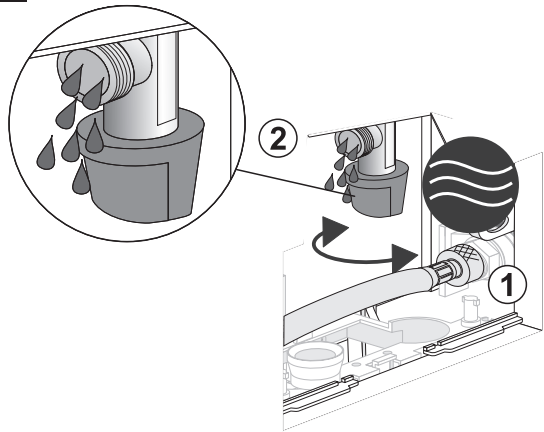
1



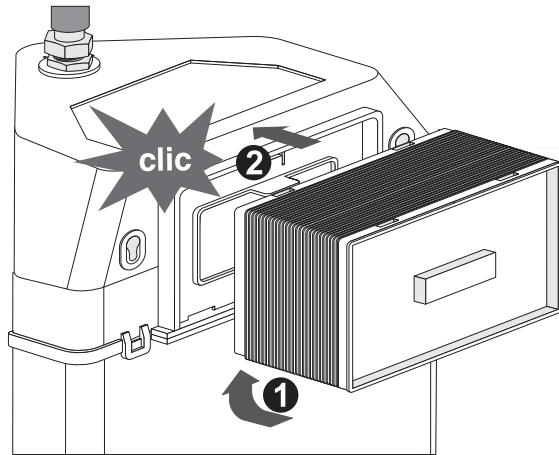
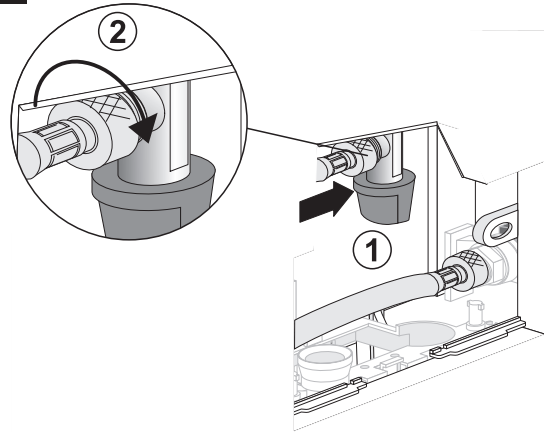
2



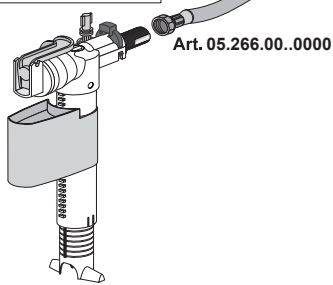
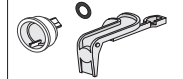
1



2



Art. 03.345.00..0000



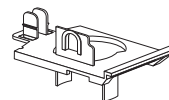
Art. 05.266.00..0000

Art. 25.001.00..0000

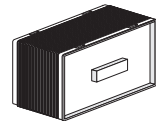
Art. 03.847.00..0000

Art. 02.972.00..0000

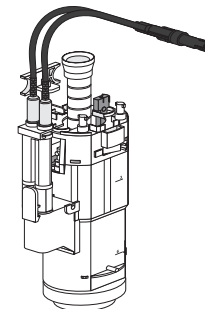
Art. 01.231.00..0000



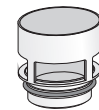
Art. 04.173.00..0000



Art. 16.030.00..0000

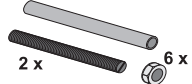


Art. 03.982.00..0000



Art. 03.976.00..0000

Art. 01.827.00..0000



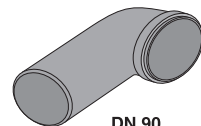
2 x

6 x

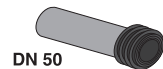
Art. 58.991.00..0000



Art. 01.821.00..0000



DN 90
Art. 58.904.00.0000

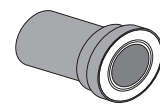


DN 50

Art. 58.990.00..0000



DN 90/ DN 100
Art. 58.211.00..0000



Art. 01.829.00..0000

CE

Sanitärtechnik Eisenberg GmbH
In der Wiesen 8
07607 Eisenberg

13

DoP Nr. 14055
CC 200-S-FO-2V-2C
Personal hygiene

EN 14055-CL1-6-NLI-VRI