



ventilair duplex

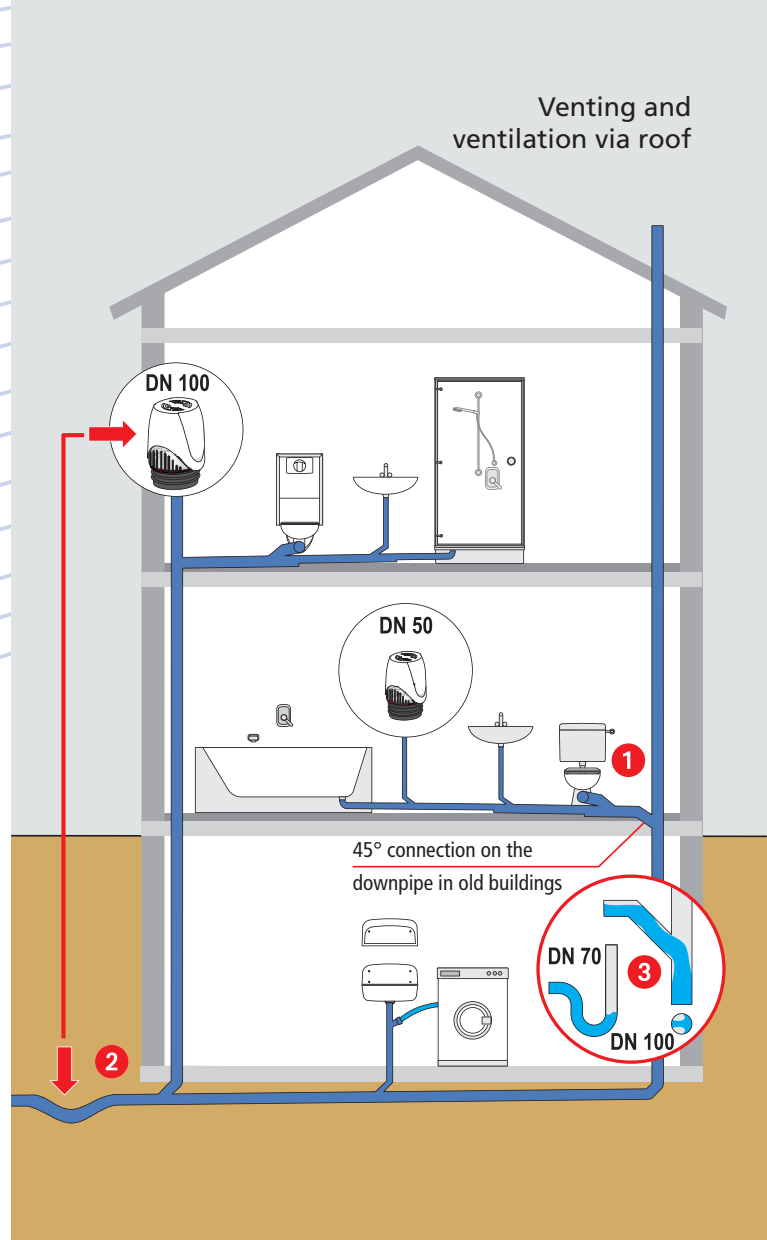
The problem-solver for pressure compensation in drainage systems

Two-way vent valves with activated carbon filter and float protection for waste water pipes



PRESSURE COMPENSATION

WWW.SANIT.COM



ventilair duplex

The ventilair duplex operates as a 2-way system, i.e. in both negative and positive pressure applications. It provides a solution for problems in drainage systems that could not previously have been remedied either adequately or at all without fundamental structural alterations.

As the ventilair duplex both aerates and vents, it does not correspond to the standards DIN EN 12056 and DIN 1986-100. A contractual agreement with the operator is therefore required before installation.

DESCRIPTION

- Aeration of the drainage system
- Venting of the drainage system
- The activated carbon filter neutralises sewer gases during venting
- Float protection to protect the carbon filter in the event of backwater
- Easily removable cover
- Service-friendly design, easy maintenance / inspection of the two-way vent valve, easy replacement of the filter cartridge
- Reliable product with factory warranty
- Compact design

German Patent No. 10 2010 044 344.4

APPLICATIONS

One of the typical signs of a problem is poor drainage of water after flushing the toilet. The water builds up and only drains away again very slowly. This problem is caused by excess pressure in the piping system which can occur for the following reasons:

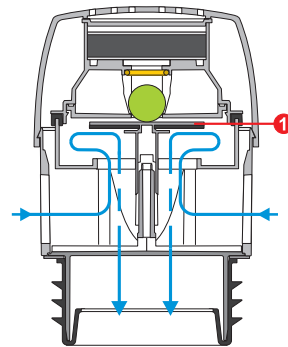
- Long pipes with a large number of 87° bends
- 45° connection to the downpipe ①
- Lowered mains pipe ②
- Filling of the pipes ③

In these cases, positive pressure builds up due to the accumulation of waste water. As a result, the entrained air in the pipe cannot „drain“ along with the water. The waste water only flows freely again when the pressure has dissipated.

FUNCTION

Aeration of the drainage system

The ventilair duplex aerates in the same way as an air-admittance valve. In the event of negative pressure, the valve ❶ opens and allows air to flow into the drainage system.



Venting of the drainage system

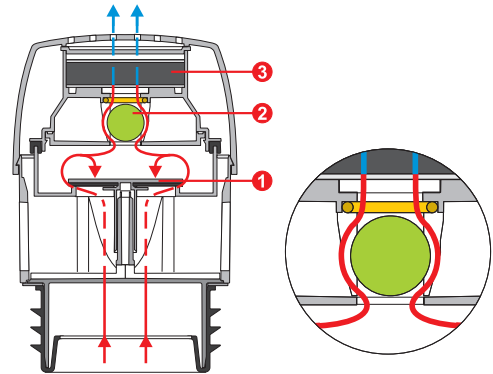
The ventilair duplex can also act as a vent. If there is a problem in the piping of the drainage system, positive pressure is created when water drains.

Air flows past the sealing element ❷. The drainage system is vented. The valve ❶ remains closed.

This equalises the pressure if there is a narrowing of the cross-section or the pipes are full. A back-flow in the drainage system is prevented in the event of water pockets or reverse gradients in the mains pipe.

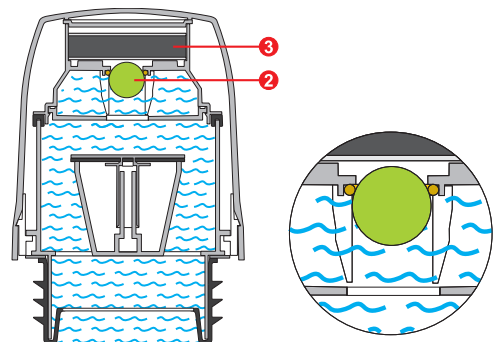
The accumulation of water in the toilet or in sinks in the case of waste water pipes with 45° connections is thus prevented.

The activated carbon filter ❸ neutralises sewer gases during venting.



Backflow protection

If backwater occurs, the sealing element ❷ closes and stops water from escaping. It also protects the activated carbon filter ❸ from getting wet.



MAINTENANCE

The ventilair duplex must always be installed so that it is accessible. When odours are detected, it means the filter capacity is exhausted. In this case, open the cover of the ventilair duplex and replace the filter cartridge. As part of the prescribed maintenance of the units, we also recommend inspecting the activated carbon filter system of the ventilair duplex.

VENTILAIR DUPLEX

Code No. 11.027.00..0099

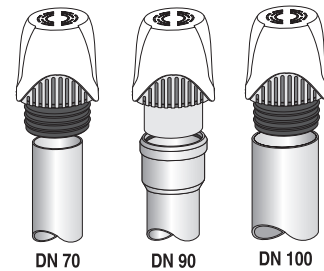
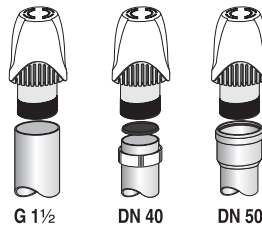
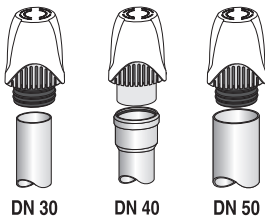
Volume flow:
During aeration max. 8 l/s
During venting max. 0.44 l/s

Code No. 11.027.00..S099

with thread
Volume flow:
During aeration max. 8 l/s
During venting max. 0.44 l/s

Code No. 11.028.00..0099

Volume flow:
During aeration max. 26 l/s
During venting max. 2.44 l/s



NOMINAL DIAMETERS

Our systems can be installed on three pipe sizes: DN 30-40-50, G 1 1/2, DN 40/50 and DN 70-90-100.

REPLACEMENT FILTER CARTRIDGES

The filter cartridge contains a filter element and a float protector. The filter element consists of a multi-layer fabric with impregnated activated carbon and a protective fleece to protect against rising moisture. Depending on usage, it lasts for up to several years.



Code No. 03.819.00..0099
DN 30-50, G 1 1/2, DN 40/50



Code No. 03.820.00..0099
DN 70-100

Unlimited shelf life when stored dry

