

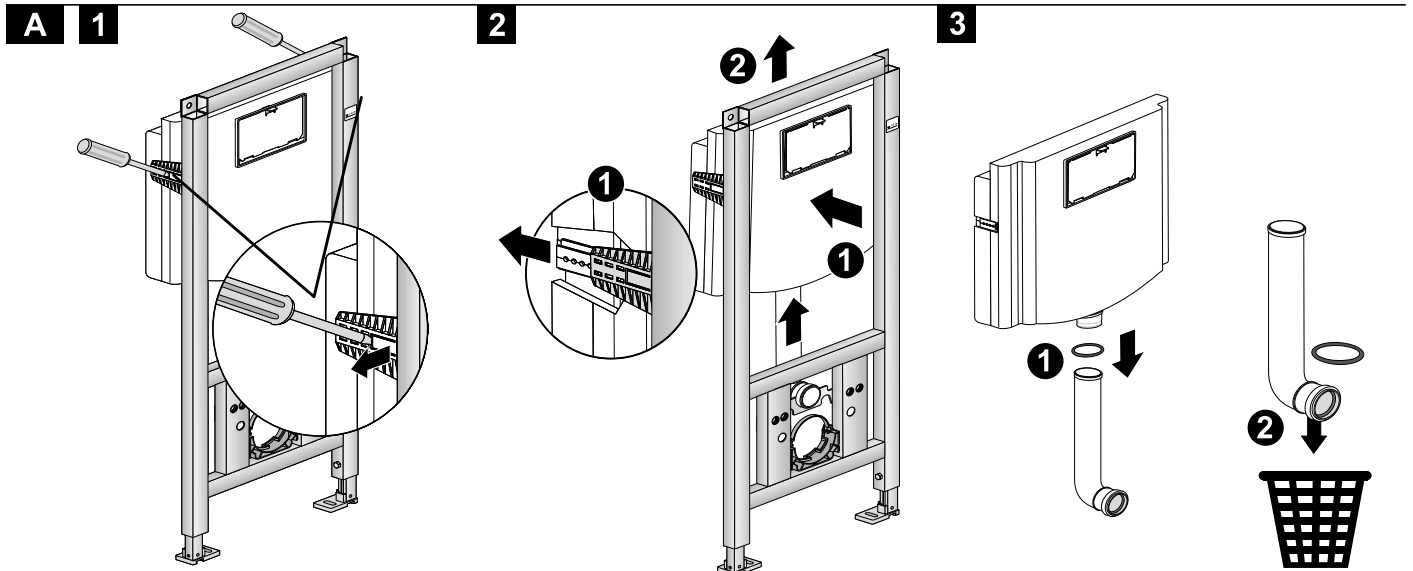
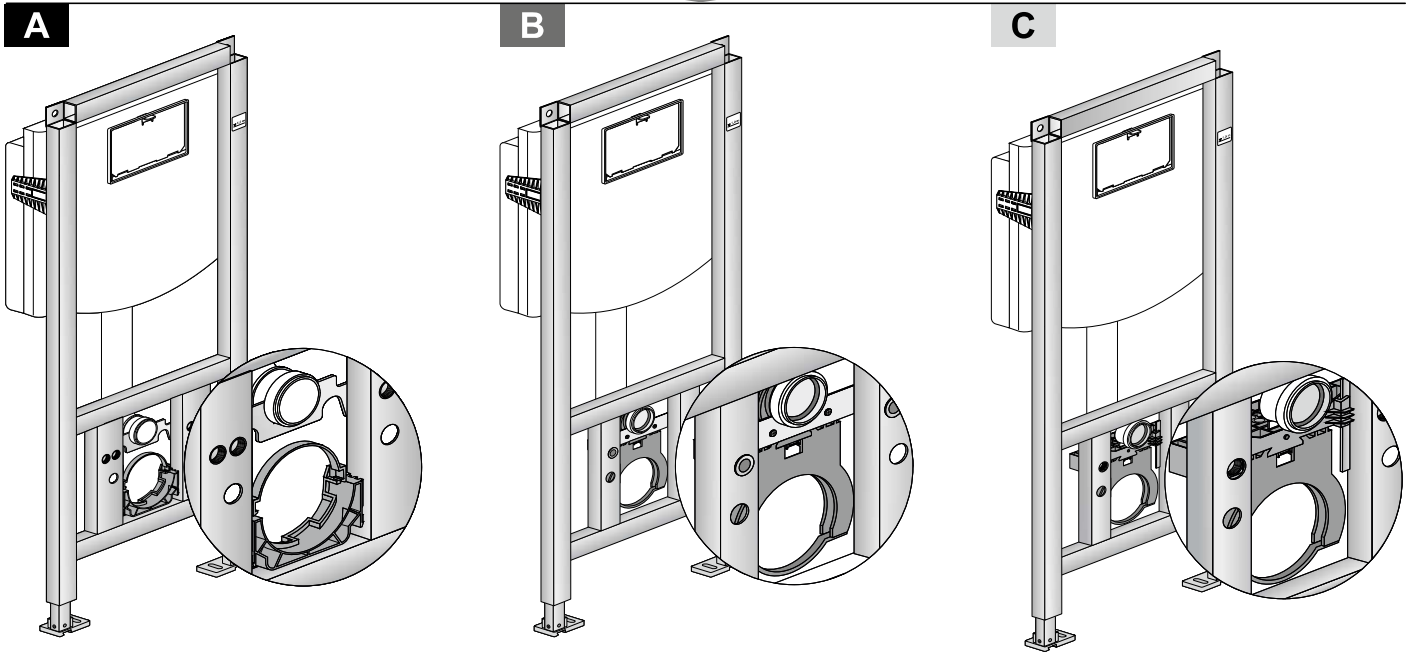
DN 50

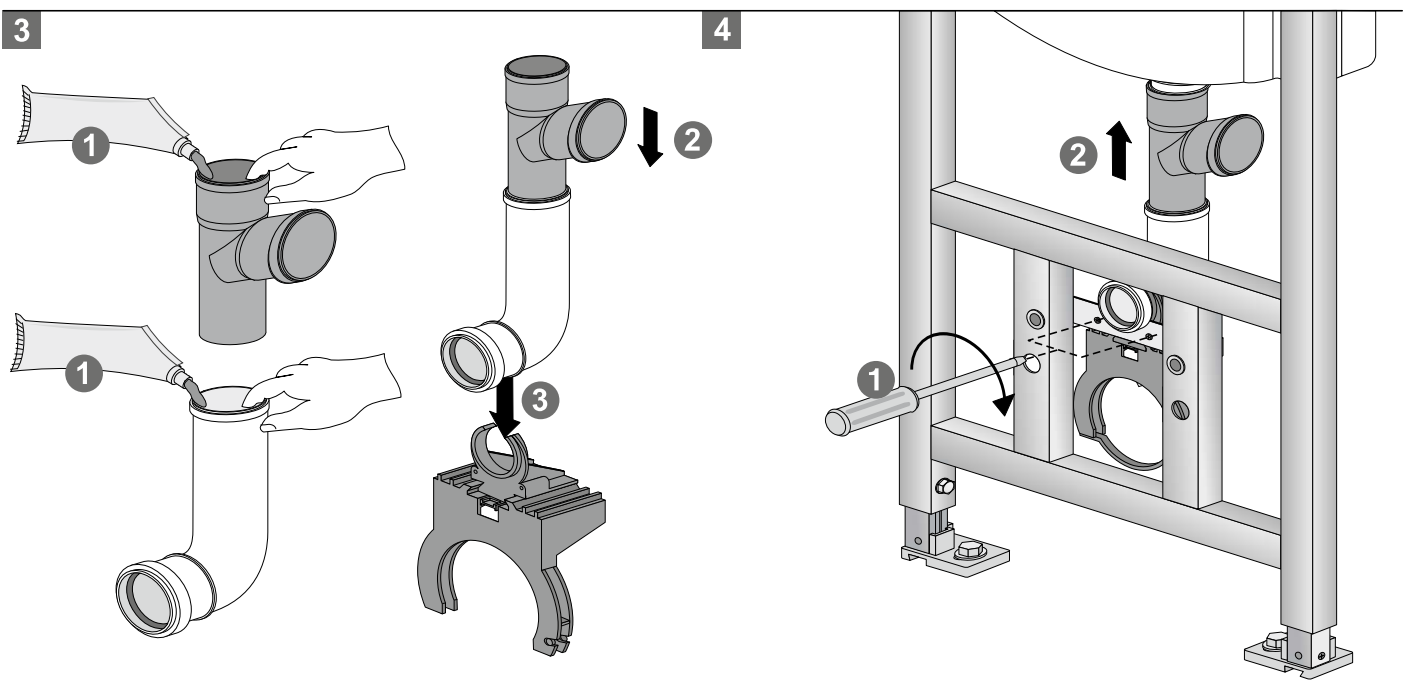
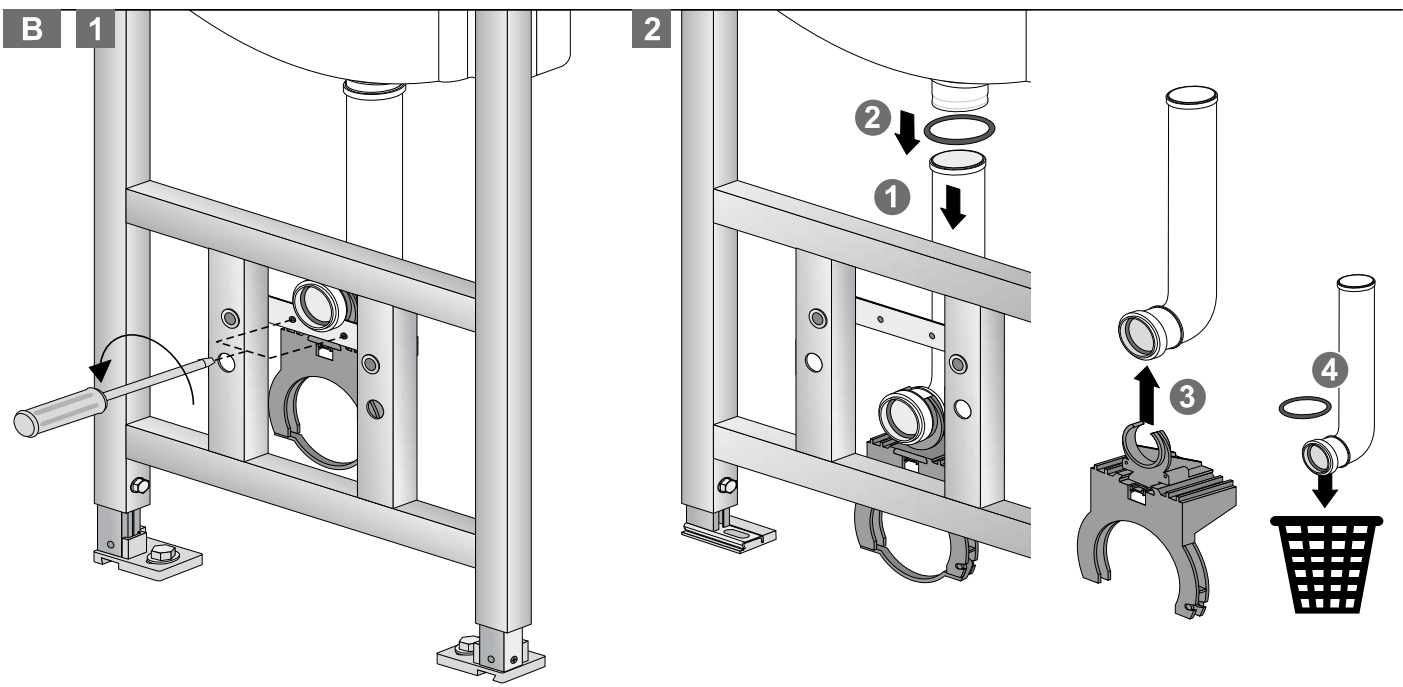
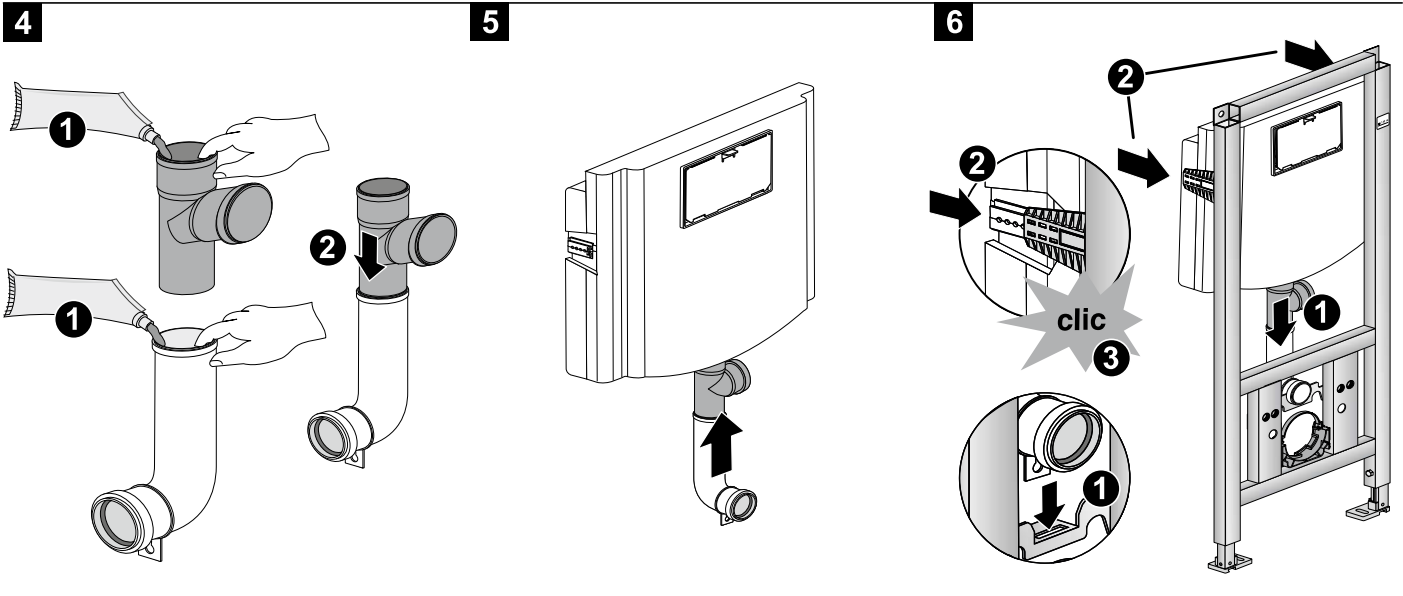
500 mm

67,5°

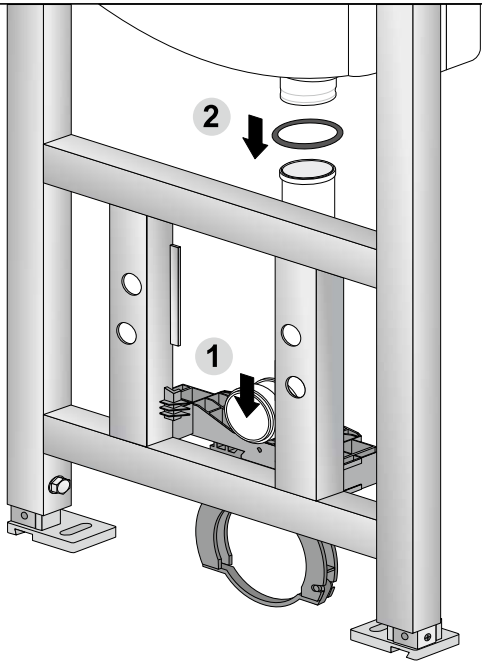
DN 90

DN 90 → DN 50

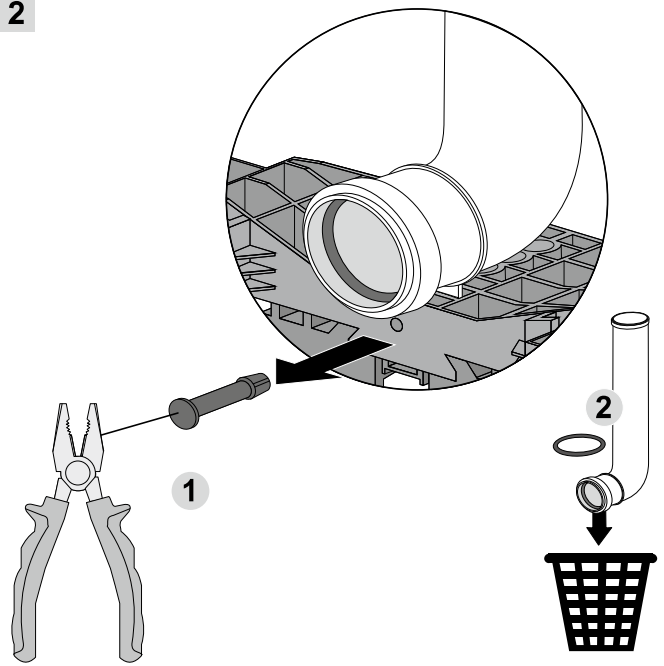




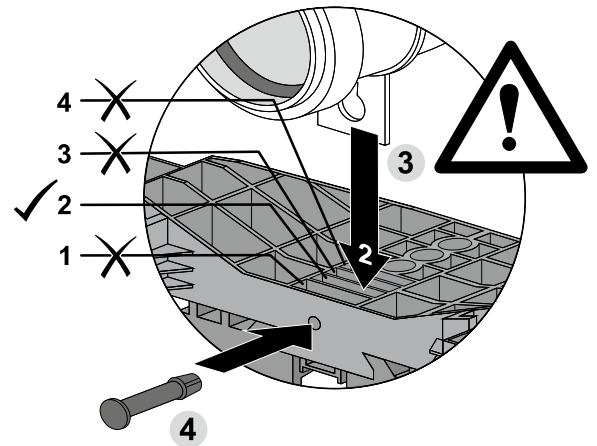
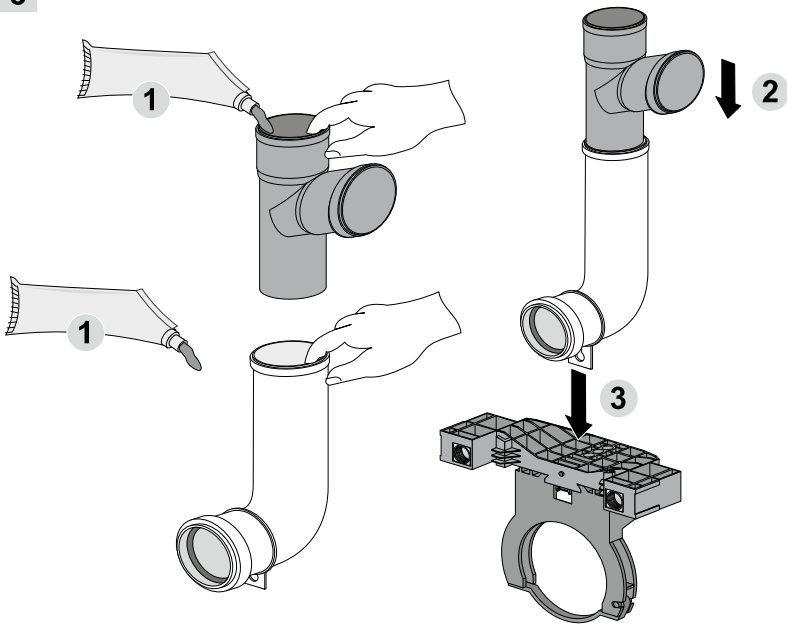
C 1



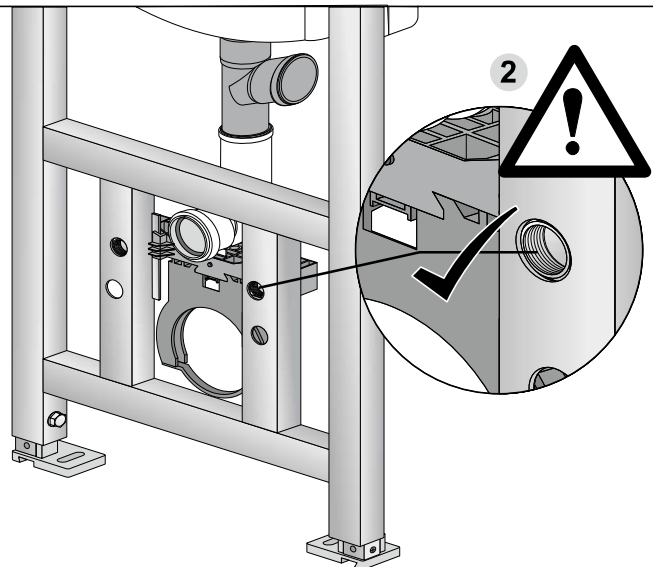
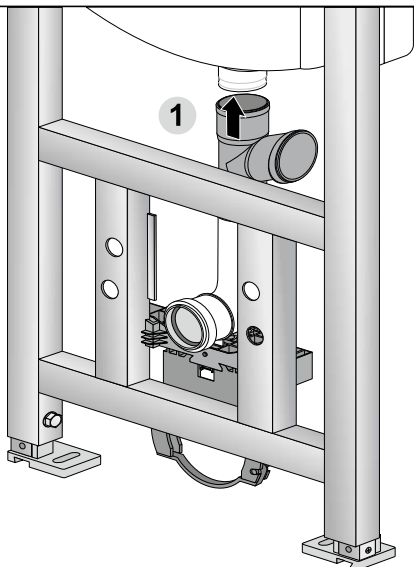
2



3

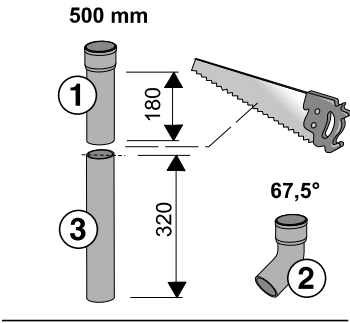
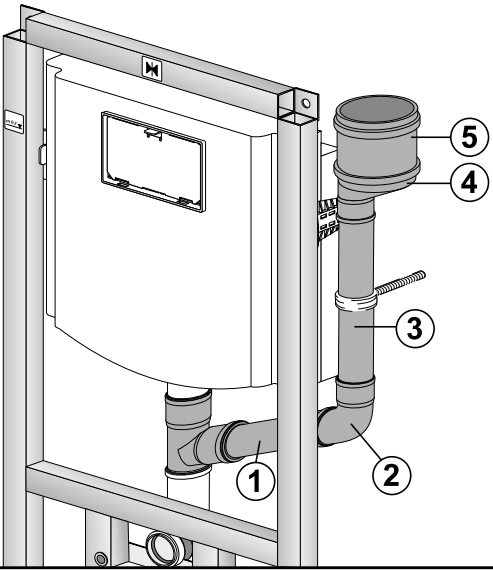
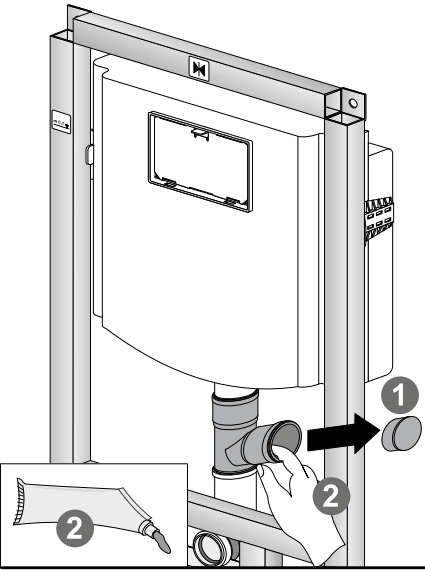


4



A **B** **C**

DN 50



DN 90

