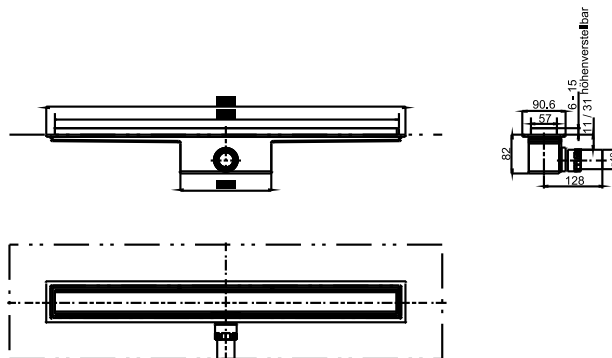




0523500000

SANIT DR ES 50/ 950/82 horizontal high adj.



Articlenumber

05.235.00..0000

version:

shower channel

product description

Shower channel ES 50, height adjustable, horizontal waste outlet, height 82 mm for mortar installation, consisting of stainless steel shower channel width 50 mm, length: 950 mm, min. installation height of 62 mm, trap height 30 mm (non standard), drainage flow rate 0,5 l/sec according to DIN EN 1253, incl. finishing set with cover useable on both sides - stainless steel or individually tileable, cover stainless steel brushed for floor coverings 4-16 mm, cover tileable with floor coverings 6-16 mm, with glued sealing collar, protection cover, individually boxed

Accessories: - sound absorbing set code no. 05.054.00..0000 - slope sheating code no. 03.880.00..0000 - MS polymer glue code no. 04.246.00..0000 - flexible connection hose code no. 03.878.00..0000 - feet code no. 05.123.00..0000